

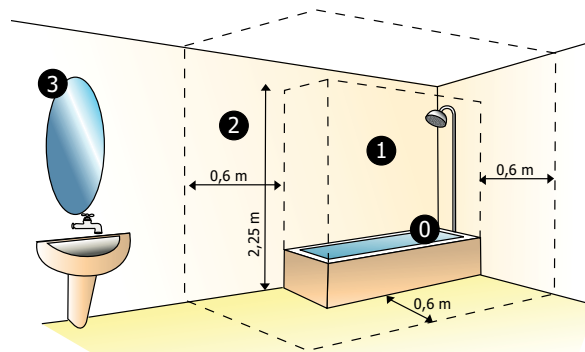
Orac Decor[®] lighting

Section 1 - General information

1. What is the maximum permissible temperature for Orac Decor[®] profiles in combination with lighting?

Orac Decor[®] profiles can withstand temperatures of up to 70 °C (160°F).
2. Do the lighting elements fit in all indirect lighting profiles from Orac Decor[®]?
 - We designed all models of our LED bars so that they can be integrated into all of our profiles. There is a designer collection specifically created for indirect lighting. If you are looking for gorgeous lighting profiles, be sure to consider the following elegant small models: C361, C362, C363, C364, C371 and C372.
 - The T5 tubes only fit in the following larger models: C351, C352, C357, C358, C900, C901 and C902.
3. Can I also use other lighting systems?
 - You can in principle, but we recommend that you use Orac Decor[®] LED lighting. Orac Decor[®] LED lighting elements are designed according to the highest standards. They also fit perfectly with the Orac Decor[®] profiles, which ensures optimal lighting effectiveness and complete safety.
 - Orac Decor[®] does not sell T5 lamps separately. They are available at any lighting shop.

If you use another brand of lighting system (particularly T5 tubes), please follow all the guidelines carefully to ensure safety.
4. Can I install Orac Decor[®] indirect lighting in a bathroom, humid area or outside?
 - Humid areas and bathrooms: All Orac Decor[®] moulding is perfectly suitable for installation in humid areas. You should use DecoFix Hydro glue in this case. However, our LED bars and T5 tubes are not waterproof (IP rating* of LED bars = IP50, IP rating* of T5 tubes = IP20). This means that our lighting elements have to be installed at least 60 cm away from a water source. Do not install our lighting near a shower or bath. The driver IL004-003 is IP 67 classified* and thus suited to be installed anywhere.
 - Outside: Here it is best to use profiles from the Exterior collection in combination with lighting specifically designed for outside use.






*for more information on IP classification, see p.7 in this pdf.

Zone 0: Inside the bathtub: no electrical devices at all.
 Zone 1: Above the bathtub: electrical devices with NF certification and protection rating IP24 or IP25.
 Zone 2: Around the bathtub [sideways distance 60 cm, height distance 2.25 m]: electrical devices with NF certification and protection rating IP24 or IP25.
 Zone 3: Rest of the bathroom: class I devices.

Section 2 - Technical information

T5-tubes

- Are the T5 lamps dimmable? **No, the T5 lamps are not dimmable.**
- Are the T5 lamps included when you buy T5 tubes? **Yes, the lamps are supplied together with the T5 tube fitting (ref. IL002-001 for 14 watt and ref. IL002-002 for 28 watt). The colour temperature is 2700 Celvin (warm white).**

technical information T5 tube	T5 TUBE 1X14W	T5 TUBE 1X28W
<input type="checkbox"/> 14 W <input type="checkbox"/> 28 W	IL002-001 T5 tube fixture incl. T5 tube HE 59 cm	IL002-002 T5 tube fixture incl. T5 tube HE 119 cm
IP CLASS	IP44	IP44
VOLTAGE	230 V	230 V
COLOUR TEMPERATURE	WARM WHITE 2700K	WARM WHITE 2700K
LIGHT OUTPUT / METER	2400Lm/M	2400 Lm/M
POWER	14 W	28 W
 MAXIMUM QUANTITY OF T5 FIXTURES TO BE CONNECTED	12	12
		
technical information T5 tube power feed	IL002-003 L 180CM	
<input type="checkbox"/> L: 180 cm		

LED-bars

- Are the LED bars dimmable?
No, they are not dimmable.
We offer two types of LED bars: low brightness and high brightness.
- What is the optimal distance between the LED bars and the ceiling?
The optimal distance depends on your personal preference. However, we recommend a distance of 15 to 20 cm between the profile and the ceiling.
- How many LED bars can I connect to a single driver?
Low-brightness LED bars: max. 12 m (ref. IL004-001 and IL004-002)
High-brightness LED bars: max. 6 m (ref. IL004-006 and IL004-007)
- What is the lux value of the LED bars?
Lux = lumen/m; a unit indicating the amount of light falling on a specific surface area. This is not relevant for our products, since they provide indirect lighting without any direct light reaching the surface. The value also depends on several factors, such as the amount of ceiling reflection, the type of painted surface and the distance.
- What is the light output of the LED bars?
Low-brightness LED bars: 100 lumen/m
High-brightness LED bars: 500 lumen/m
- What is the maximum temperature of the LED bars?
Orac Decor® LED bars do not get any warmer than 55°C (130°F), so you can integrate them into our lighting profiles without any problems.
- Can I shorten the LED bars?
No, you cannot adjust the length of the LED bars. But we do offer two standard lengths, as part of a system 'ready to connect': 26 cm and 114.5 cm. With those options you can obtain various lengths of indirect lighting by connecting the LED bars with the same lumen rating to a single driver.
- Are the LED bars available in different colour temperatures?
They are only available in the standard colour 'warm white' (2700 – 2900 K), a colour which is used most often to create a pleasant atmosphere
- How long can I order the same LED bars?
We offer a 12-month warranty.
Please read our warranty terms and conditions in the product box.
- What is the life span of the LED bars?
The lifespan of the LED bars is about 30,000 hours.

technical information led bars

	LOW LUMEN LED BAR	HIGH LUMEN LED BAR
26 cm 114,5 cm	IL004-001 Led bar low lumen 26x2x1,5 cm IL004-002 Led bar low lumen 114,5x2x1,5 cm	IL004-006 Led bar high lumen 26x2x1,5 cm IL004-007 Led bar high lumen 114,5x2x1,5 cm
IP CLASS	IP50	IP50
VOLTAGE	24 V	24 V
COLOUR TEMPERATURE	WARM WHITE 2700 - 2900K	WARM WHITE 2700 - 2900K
LIGHT OUTPUT / METER	+/- 100 Lm/M	+/- 500 Lm/M
CRI	80	80
LIFE SPAN (AVGE LUMEN MAINTENANCE)	30 000 HOURS	30 000 HOURS
POWER	+/- 4 W/M	+/- 10,5 W/M
MAXIMUM LENGTH OF LED BARS CONNECTED TO A DRIVER (60 W) MAXIMUM CABLE LENGTH FROM DRIVER TO LED BAR CONNECTOR	12 M 5 M	6 M 5 M

technical information led connecting cable / led driver

IL004-003 Waterproof driver for IL004 (60W) - 15x6,8x5 cm

IL004-005 Connecting cable for IL004 - 100 cm

IL004-004 Connecting cable for IL004 - 12,5 cm

L: 100 cm L: 100 cm

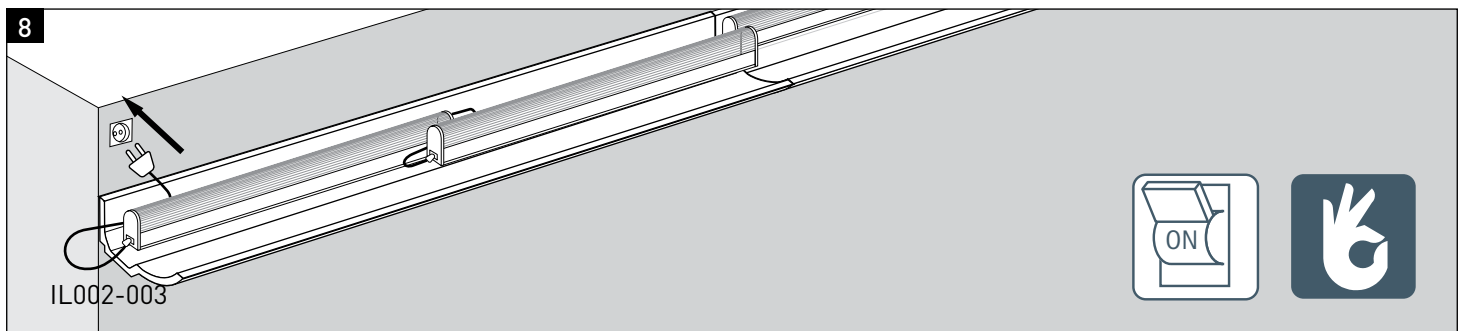
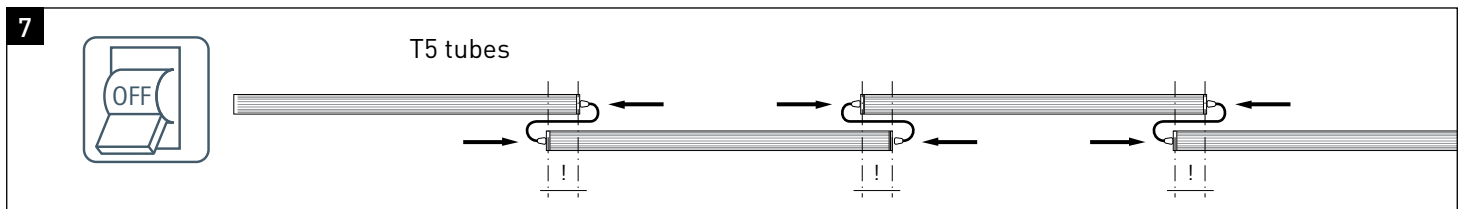
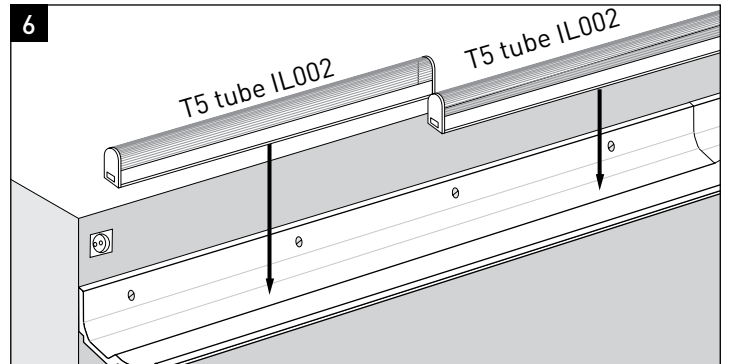
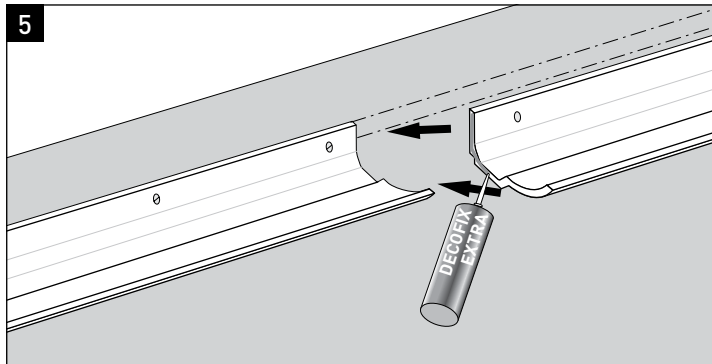
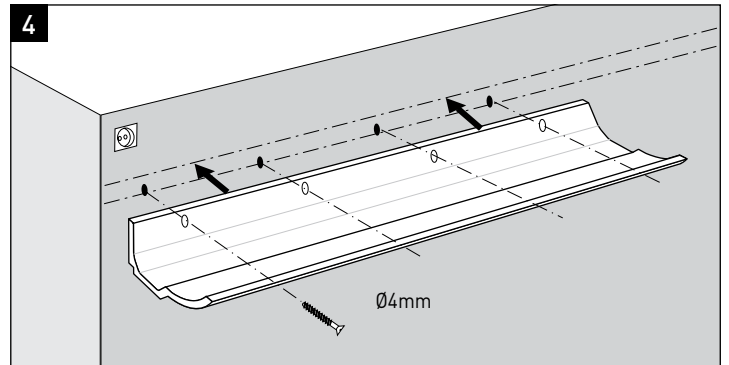
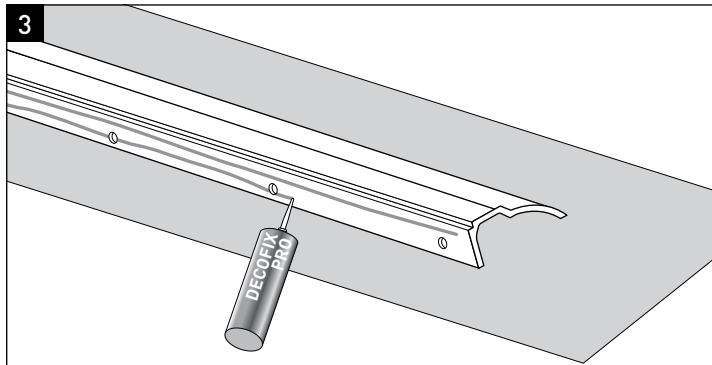
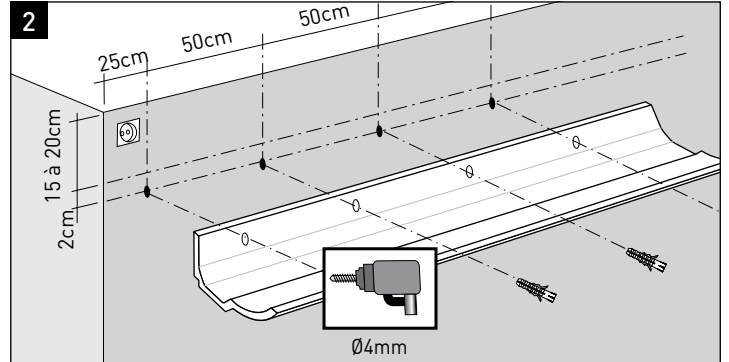
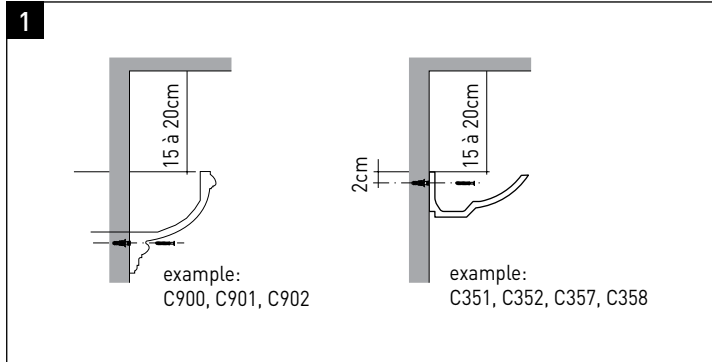
IP CLASS	IP67
POWER	60 W
INPUT VOLTAGE	240 VAC, MAX. 300 MA
OUTPUT	24 VDC, MAX. 2500 MA

Section 3 - Installation

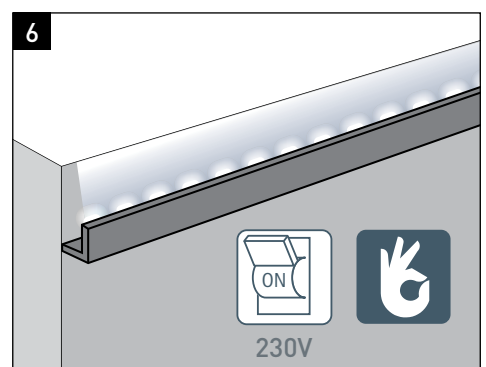
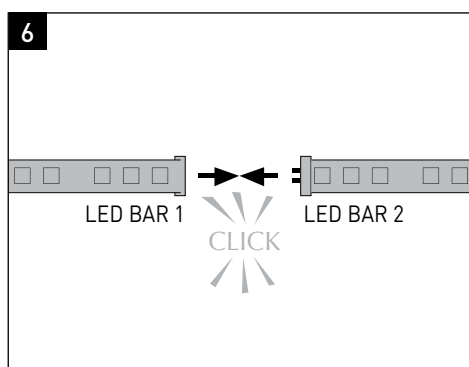
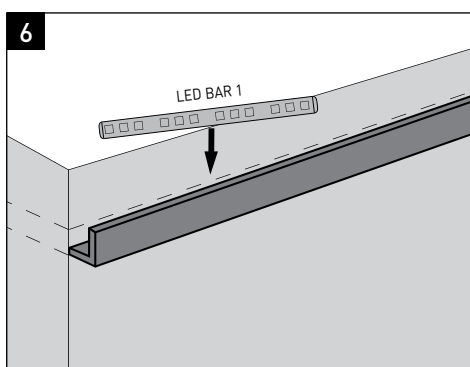
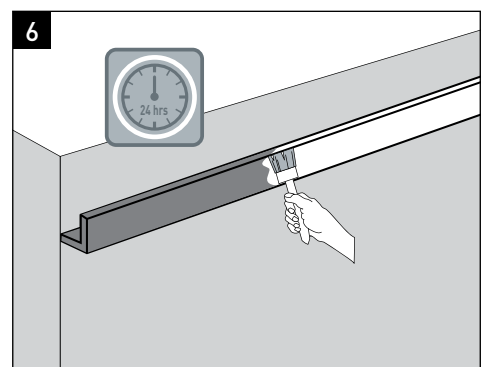
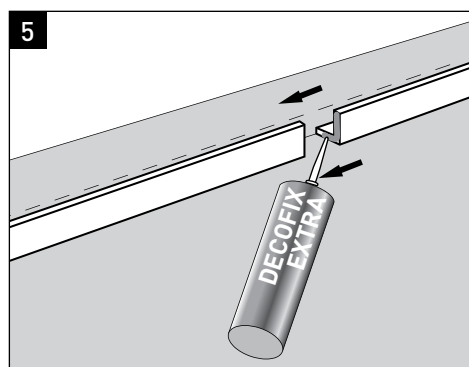
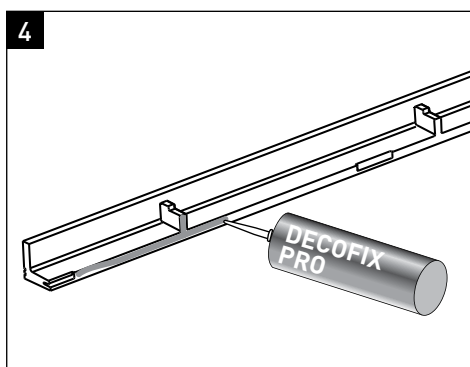
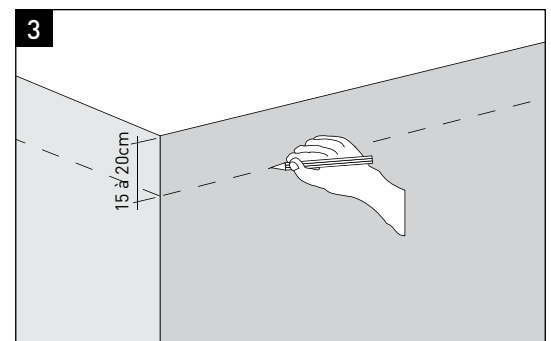
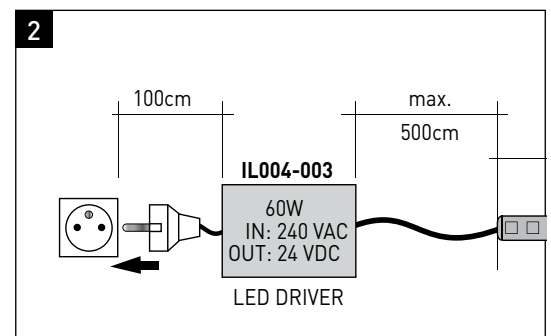
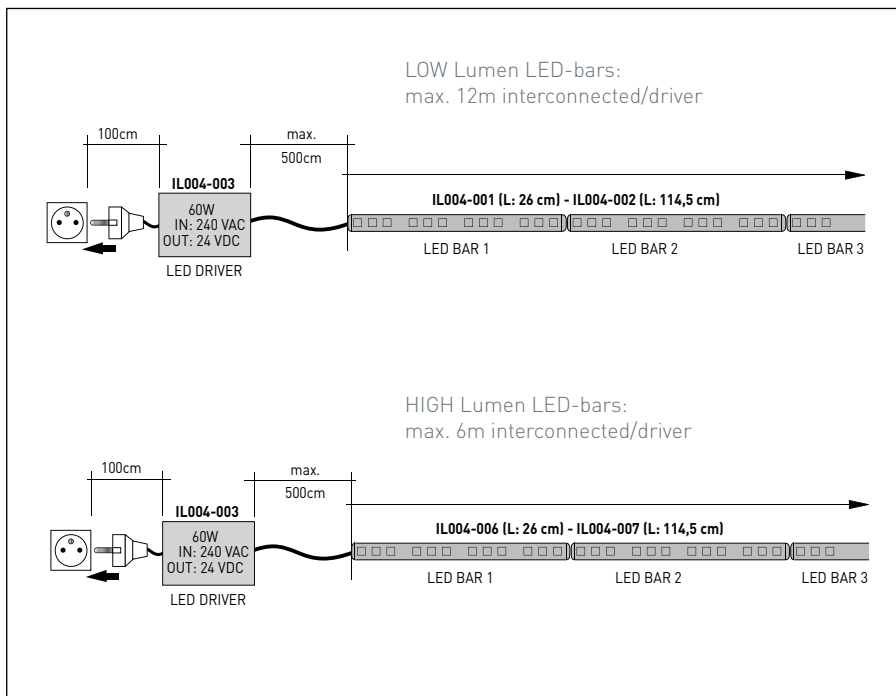
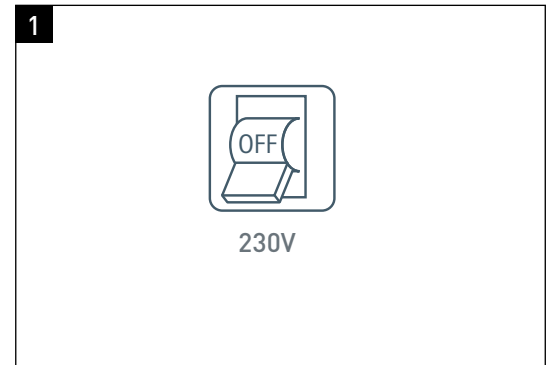
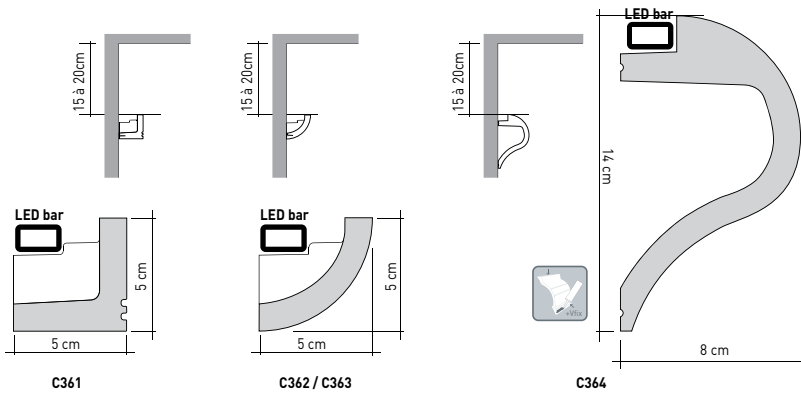
How should I install the Orac Decor® profiles for indirect lighting?

All our profiles can be easily glued with the DecoFix glues we offer. DecoFix Pro is an extra strong, water-based acrylic glue that ensures a long-lasting bond between the moulding and the wall or ceiling. DecoFix Extra is a polyurethane glue for joining different sections of moulding.

T5-tubes



LED-bars



1. Can I install the profiles upside down? If so, how should I secure the LED system to the profile?

Yes, you can install the profiles upside down. You can also secure the LED bars upside down. If you do this, always use suitable glue or tape to ensure that the LED bar does not come loose. You can use also the clips enclosed with the LED bars.



C372 as downlight

2. Can I install the LED bars outside or in a humid environment?

No, the LEDs have protection rating IP50 and are therefore only protected against dust entry.

3. What is the maximum distance between the driver and the first LED bar?

The maximum distance between the driver and the first LED bar is 5 m.

4. Can I embed the power cable in the plaster?

Yes, you can embed the power cable in the plaster without any problems.

5. Can the LED lighting be split into two circuits from the driver (Y connection)?

No, only one circuit is possible.

6. Can I use a driver rated at more than 60W to increase the number of LED bars per driver?

No, the maximum allowable driver rating is 60W. We also recommend using our 60W standard driver to obtain optimal light output and ensure complete safety.

7. Can I fit the driver in the moulding?

The driver's dimensions are 15x6.8x5 cm. If there is enough room within the moulding, you can fit the driver there. With narrow, minimalistic profiles (such as ref. C363), this should be avoided. In such cases, the driver should be built into the wall.

8. Can I disconnect the LED bar without switching off the power?

No, you should always switch off the power (230 V) before disconnecting the LED bar.

9. How should I install the LED bar in a corner?

The LED bars are not flexible, so they must be fitted in corners using a connection cable. The Orac Decor® range includes suitable cables to make this easy for you (ref. IL004-004 = 12.5 cm and ref. IL004-005 = 100 cm).

10. Can I use another driver?

Yes, but the ORAC NV/SA warranty is only valid if an Orac Decor® driver is used.

Section 4 - IP protection classification

What is IP?

IP stands for Ingress Protection.

The IP Code outlines a system of classification for the protection of electrical enclosures against the intrusion of foreign bodies (i.e., tools, fingers, dust, etc.) and moisture. The system of classification was specified by the International Electrotechnical Commission and is officially designated as IEC 60529.

The rating is specified by the letters IP followed by two digits i.e. IP25, IP68, etc.

So what does it all mean?

The letters are used to indicate the numbers following are an IP rating.

First number - Degree of ingress protection

The first number of the IP code indicates the degree of protection against contact with moving parts and the degree that the equipment is protected against solid foreign bodies intruding into an enclosure.

- 0 - No special protection
- 1 - Protection from a large part of the body such as hand or from solid objects greater than 50 mm in diameter
- 2 - Protection against objects not greater than 80 mm in length and 12 mm in diameter
- 3 - Protection from entry by tools, wires, etc., with a diameter or thickness greater than 2.5 mm
- 4 - Protection from entry by solid objects with a diameter or thickness greater than 1.0 mm
- 5 - Protection from an amount of dust that would interfere with the operation of the equipment
- 6 - Dust-tight

Second number - Degree of moisture protection

The second number indicates the degree of protection for the equipment inside the enclosure against the harmful entry of various forms of moisture (e.g. dripping, spraying, submersion, etc.)

- 0 - No special protection
- 1 - Protection from vertically dripping water
- 2 - Protection from dripping water when tilted up to 15°
- 3 - Protection from sprayed water
- 4 - Protection from splashed water
- 5 - Protection from water projected from a nozzle
- 6 - Protection against heavy seas, or powerful jets of water
- 7 - Protection against temporary immersion
- 8 - Protection against complete continuous submersion in water (up to 1 metre deep for 15 minutes)